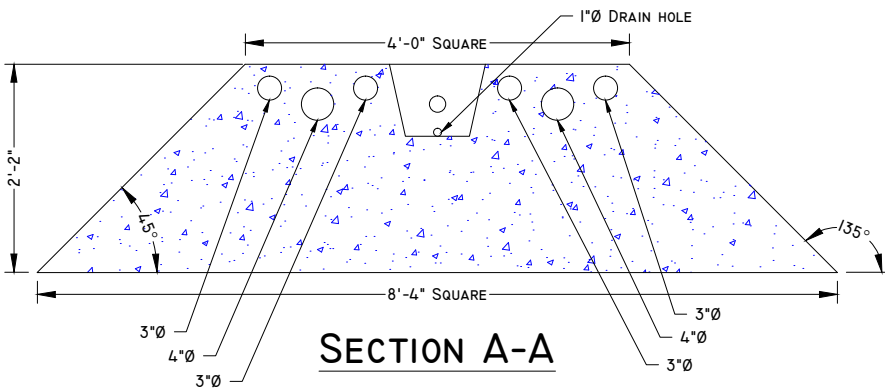
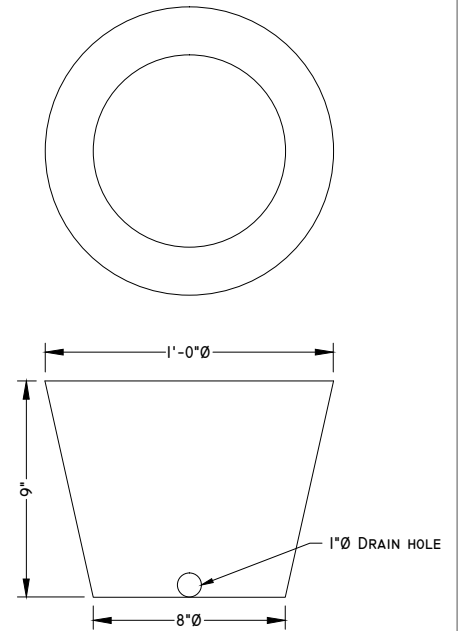


NOTE: 3/4" CHAMFER TYPICAL ON EACH EDGE OF TOP, SIDES AND BOTTOM

PLAN VIEW

HITCH ROD POCKET DETAIL

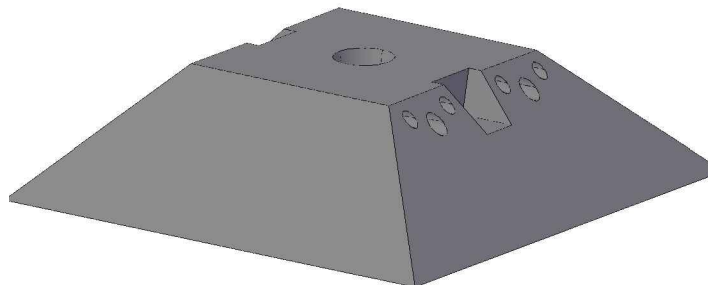
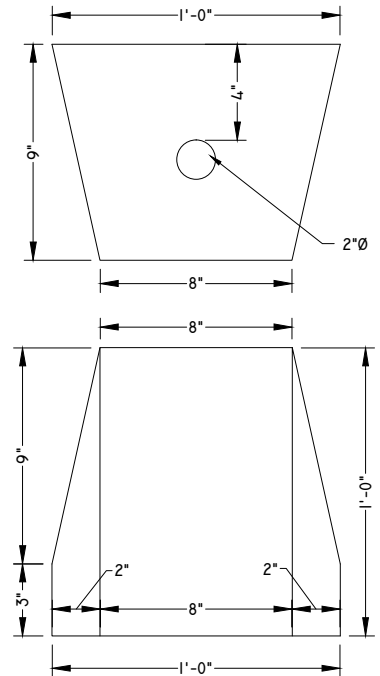
SCALE: 1 1/2" = 1'-0"



SECTION A-A

SIDE POCKET DETAIL

SCALE: 1 1/2" = 1'-0"



CONCEPTUAL VIEW - NTS

Manufacturing Notes

- I.1. CONCRETE COMPRESSIVE STRENGTH: 5000PSI
- I.2. AIR ENTRAINMENT: 4-6%
- I.3. GRADE 60 REINFORCEMENT
- I.4. STRUCTURAL FIBER REINFORCEMENT

Physical Specifications:

ACTUAL DRY WEIGHT: 12,420 LBS
 BUOANCY WEIGHT: 7,255 LBS